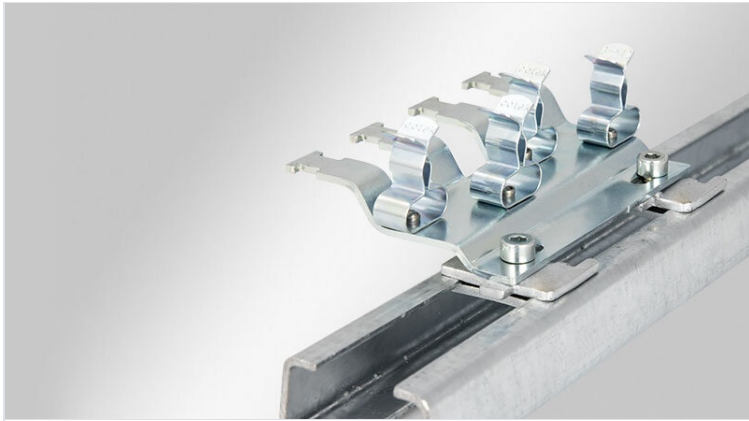


EMC clamp assembly for C section rail C30

with integrated strain relief



EMC clamp assemblies are used, where the shield of several cables must be connected to the earth potential. They are easy to use and enable effective earthing and strain relief of up to 12 cables in a small space. There are different carriers available which can be user configured with up to 12 SKL or MSKL shield clamps. The shield clamps are mounted directly on the surface of the clamp assembly which guarantees a tight fit.

The cables can be fixed via the cable jacket using cable ties. Thus strain relief in accordance with EN 62444 is achieved.

The EMC shield clamps as listed below are available to mount:

SKL 1.5-3 | SKL 3-6 | SKL 6-8 | SKL 8-11
MSKL 3-12

The SKL shield clamps are assembled in a row, the MSKL shield clamps are assembled in a staggered double-row which enables an ideal and space-saving arrangement.

The clamp assembly can be mounted on C section rails C30 using the SC screw foot.

Configure your individual clamp assembly with the icotek EMC Configurator!



Specifications

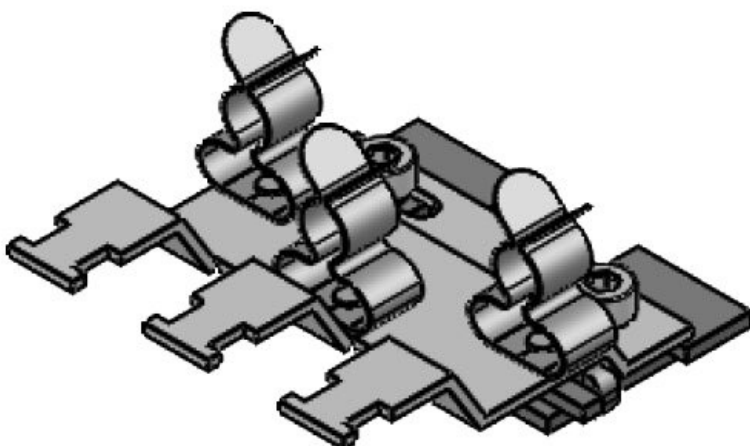
Material	Shield clamp: Spring steel, zinc plated Mounting foot: Mild steel, galvanically zinc plated Screw foot: Mild steel, galvanically zinc plated
Properties	vibration proof
Mounting options	Screw type mounting

Advantages & benefits

- Large contact area
- Shield contact and strain relief separated
- Easy assembly and removal
- The spring design requires no adjustments and will permanently maintain contact to the cable shield
- Shock and vibration resistant, maintenance free
- Designed for high density applications
- Possibility to configure custom specific EMC clamp assemblies
- For mounting on all standard C section rails C30

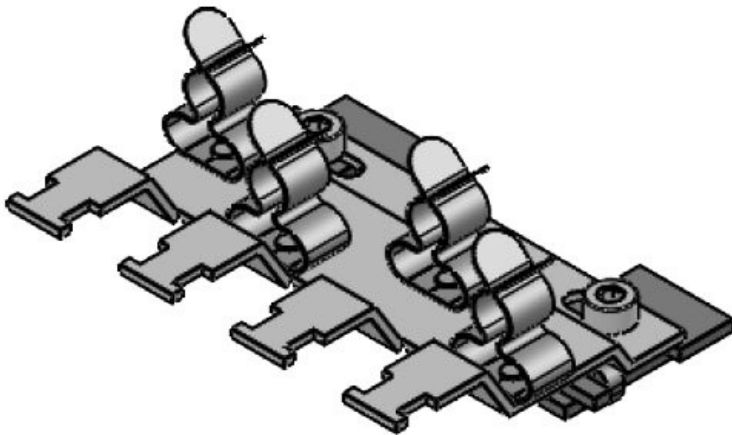
Product types & sizes

SC|RLFZ-M (x3)



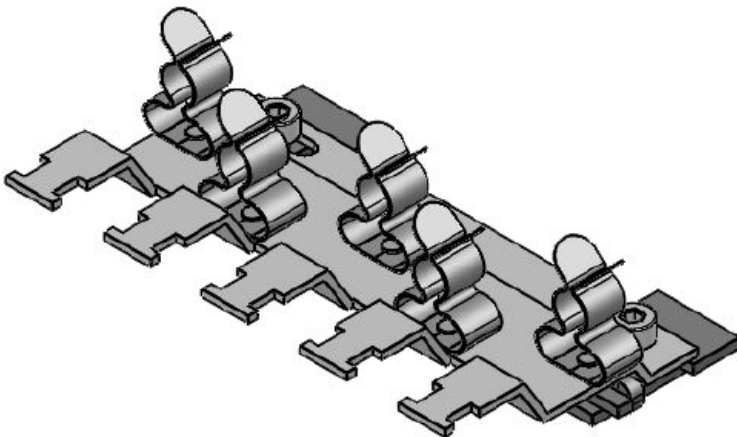
Part No.	38070.100	Height	16,2 mm
EAN	4251269319	Mounting height	16,2 mm
	976		
Package quantity	1		
For no. of shield clamps	3		
For max. no. of cables	3		
Length	58 mm		
Width	54,1 mm		

SC|RLFZ-M (x4)



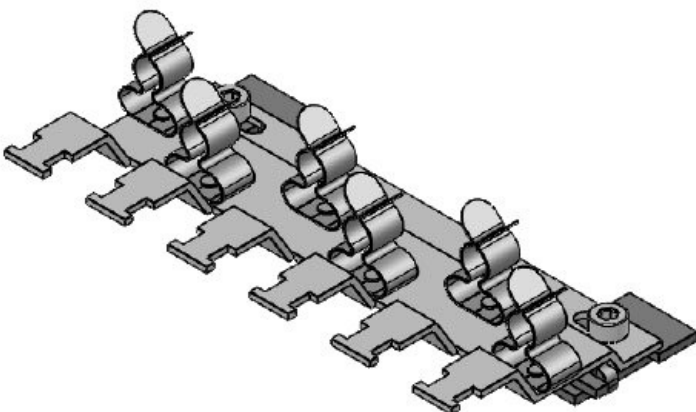
Part No.	38071.100	Height	16,2 mm
EAN	4251269319	Mounting height	16,2 mm
	983		
Package quantity	1		
For no. of shield clamps	4		
For max. no. of cables	4		
Length	79 mm		
Width	54,1 mm		

SC|RLFZ-M (x5)

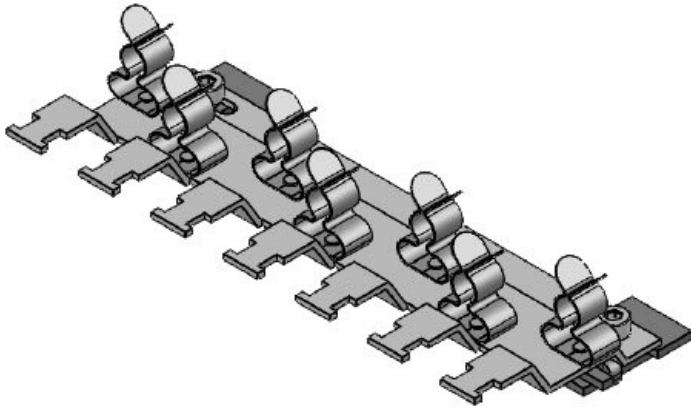


Part No.	38072.100	Height	16,2 mm
EAN	4251269319	Mounting height	16,2 mm
	990		
Package quantity	1		
For no. of shield clamps	5		
For max. no. of cables	5		
Length	99,7 mm		
Width	54,1 mm		

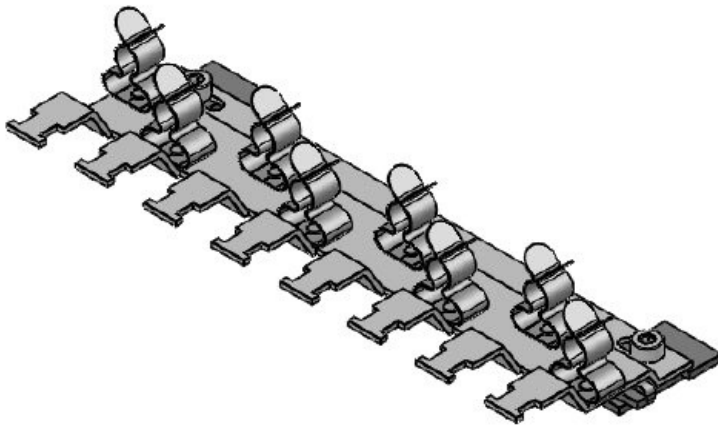
SC|RLFZ-M (x6)



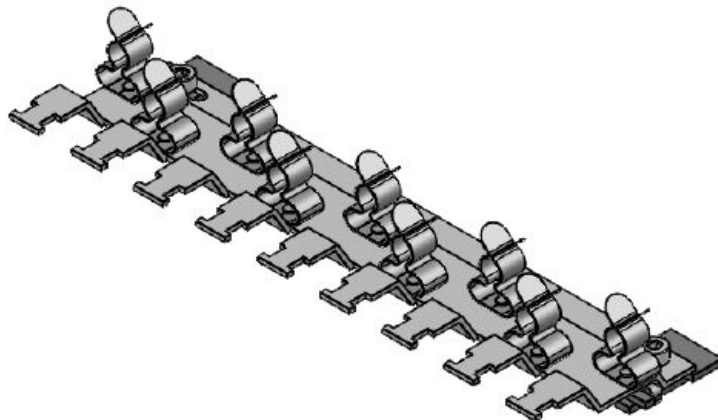
Part No.	38073.100	Height	16,2 mm
EAN	4251269320	Mounting height	16,2 mm
	002		
Package quantity	1		
For no. of shield clamps	6		
For max. no. of cables	6		
Length	120,7 mm		
Width	54,1 mm		

SC|RLFZ-M (x7)

Part No.	38074.100	Height	16,2 mm
EAN	4251269320	Mounting height	16,2 mm
	019		
Package quantity	1		
For no. of shield clamps	7		
For max. no. of cables	7		
Length	141,7 mm		
Width	54,1 mm		

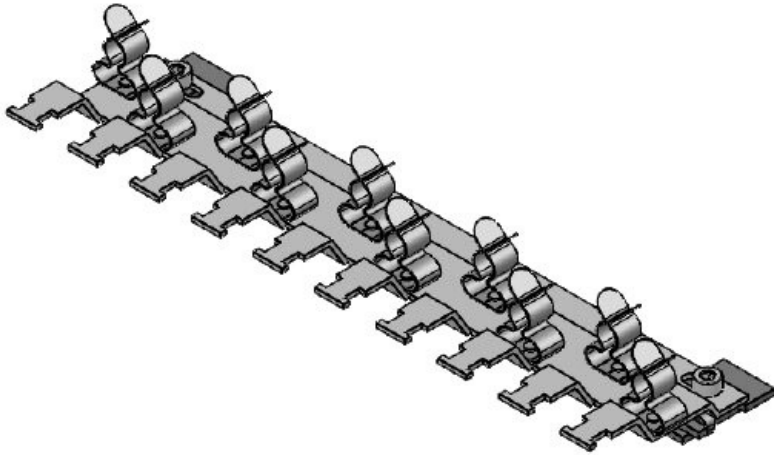
SC|RLFZ-M (x8)

Part No.	38075.100	Height	16,2 mm
EAN	4251269320	Mounting height	16,2 mm
	026		
Package quantity	1		
For no. of shield clamps	8		
For max. no. of cables	8		
Length	162,7 mm		
Width	54,1 mm		

SC|RLFZ-M (x9)

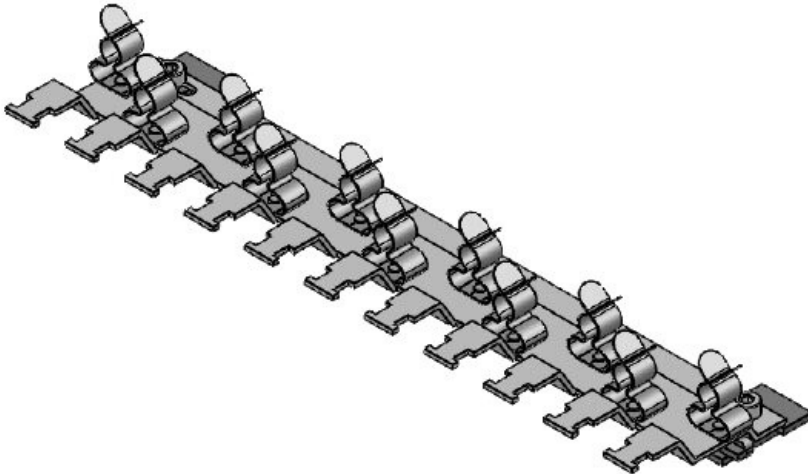
Part No.	38076.100	Height	16,2 mm
EAN	4251269320	Mounting height	16,2 mm
	033		
Package quantity	1		
For no. of shield clamps	9		
For max. no. of cables	9		
Length	183,7 mm		
Width	54,1 mm		

SC|RLFZ-M (x10)



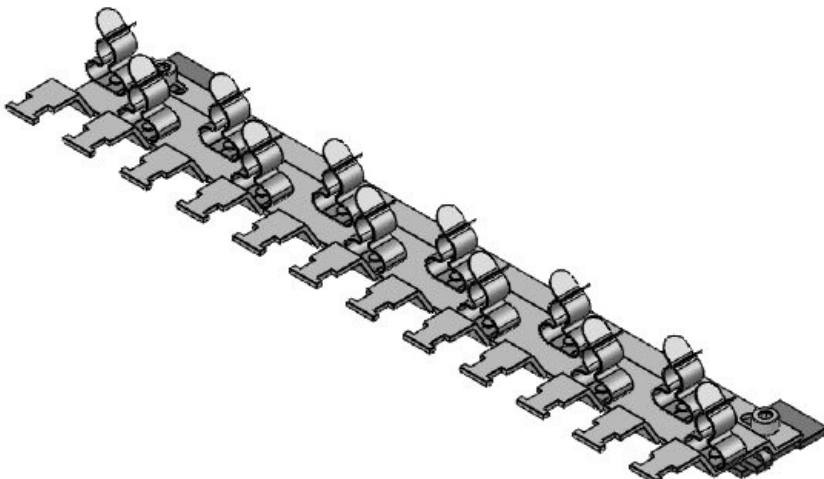
Part No.	38077.100	Height	16,2 mm
EAN	4251269320	Mounting height	16,2 mm
	040		
Package quantity	1		
For no. of shield clamps	10		
For max. no. of cables	10		
Length	204,7 mm		
Width	54,1 mm		

SC|RLFZ-M (x11)



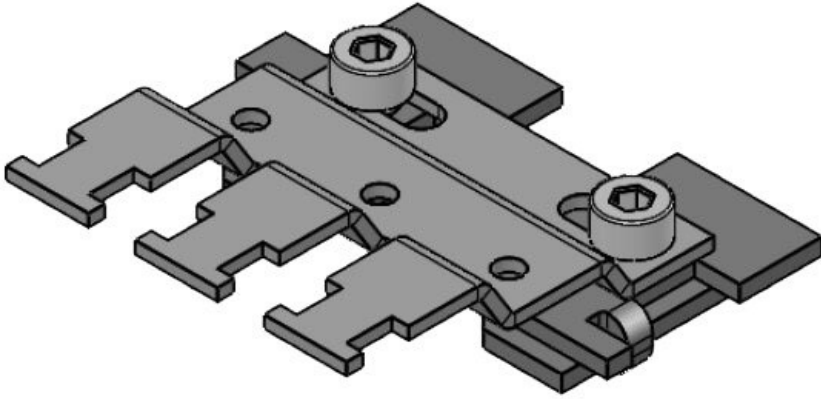
Part No.	38078.100	Height	16,2 mm
EAN	4251269320	Mounting height	16,2 mm
	057		
Package quantity	1		
For no. of shield clamps	11		
For max. no. of cables	11		
Length	226 mm		
Width	54,1 mm		

SC|RLFZ-M (x12)



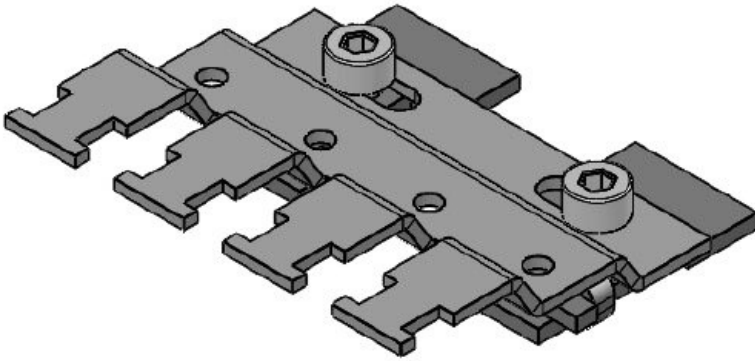
Part No.	38079.100	Height	16,2 mm
EAN	4251269320	Mounting height	16,2 mm
	064		
Package quantity	1		
For no. of shield clamps	12		
For max. no. of cables	12		
Length	246,7 mm		
Width	54,1 mm		

SC|RLFZ (x3)



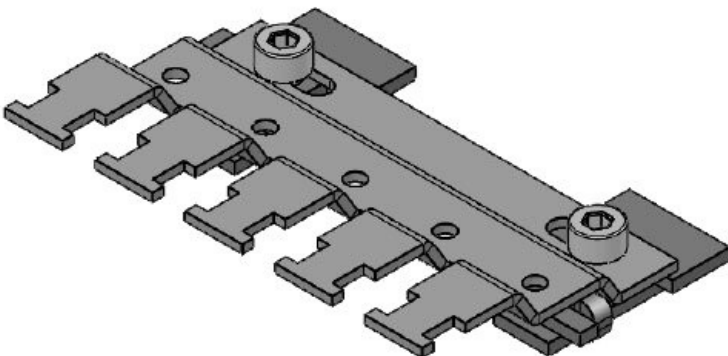
Part No.	38005.100	Height	12,5 mm
EAN	4251269319	Mounting height	12,5 mm
	877		
Package quantity	1		
For no. of shield clamps	3		
For max. no. of cables	3		
Length	41,2 mm		
Width	44,4 mm		

SC|RLFZ (x4)



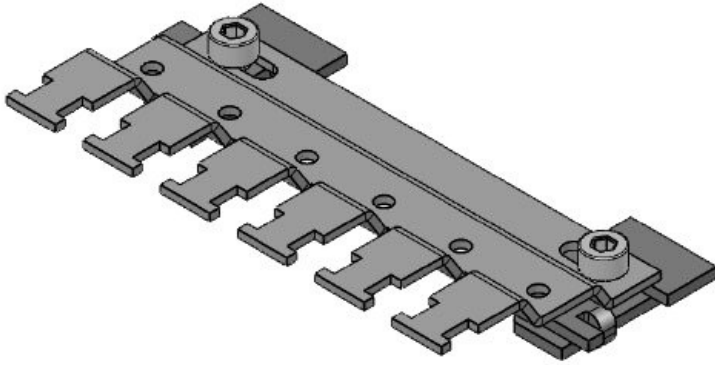
Part No.	38010.100	Height	12,5 mm
EAN	4251269319	Mounting height	12,5 mm
	884		
Package quantity	1		
For no. of shield clamps	4		
For max. no. of cables	4		
Length	56,8 mm		
Width	44,4 mm		

SC|RLFZ (x5)



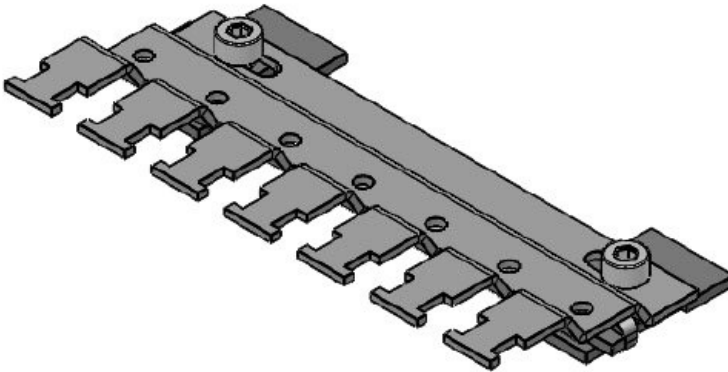
Part No.	38015.100	Height	12,5 mm
EAN	4251269319	Mounting height	12,5 mm
	891		
Package quantity	1		
For no. of shield clamps	5		
For max. no. of cables	5		
Length	72,4 mm		
Width	44,4 mm		

SC|RLFZ (x6)



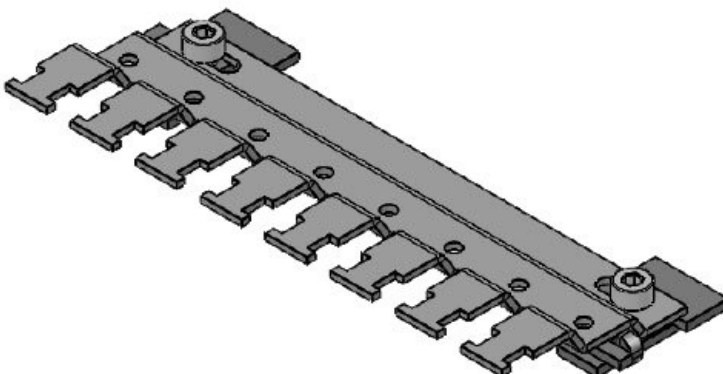
Part No.	38020.100	Height	12,5 mm
EAN	4251269319	Mounting height	12,5 mm
	907		
Package quantity	1		
For no. of shield clamps	6		
For max. no. of cables	6		
Length	88 mm		
Width	44,4 mm		

SC|RLFZ (x7)



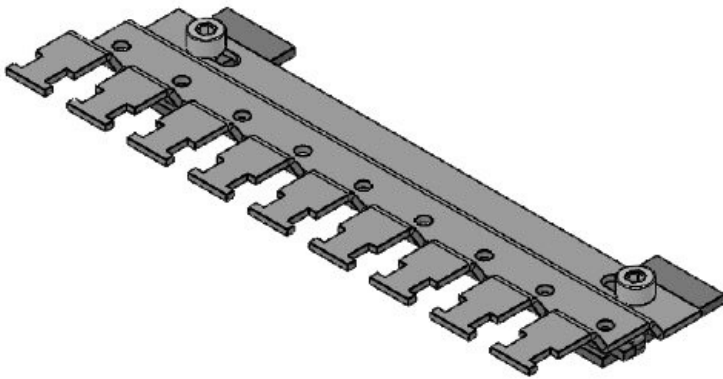
Part No.	38025.100	Height	12,5 mm
EAN	4251269319	Mounting height	12,5 mm
	914		
Package quantity	1		
For no. of shield clamps	7		
For max. no. of cables	7		
Length	103,6 mm		
Width	44,4 mm		

SC|RLFZ (x8)



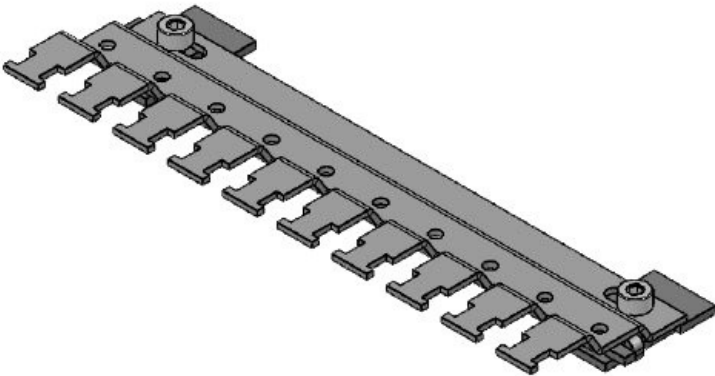
Part No.	38030.100	Height	12,5 mm
EAN	4251269319	Mounting height	12,5 mm
	921		
Package quantity	1		
For no. of shield clamps	8		
For max. no. of cables	8		
Length	119,2 mm		
Width	44,4 mm		

SC|RLFZ (x9)



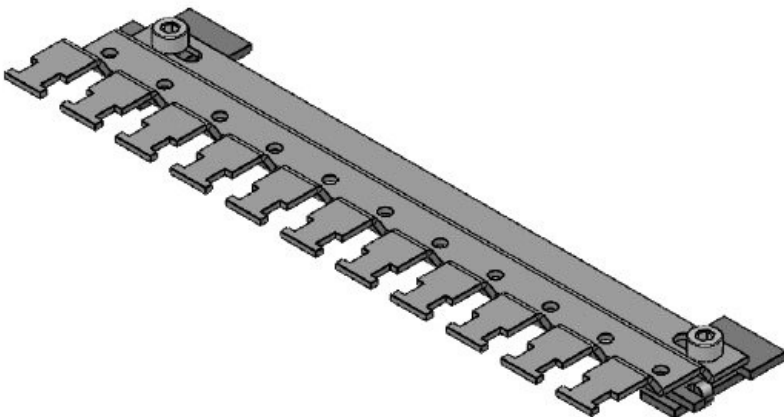
Part No.	38035.100	Height	12,5 mm
EAN	4251269319	Mounting height	12,5 mm
	938		
Package quantity	1		
For no. of shield clamps	9		
For max. no. of cables	9		
Length	134,8 mm		
Width	44,4 mm		

SC|RLFZ (x10)



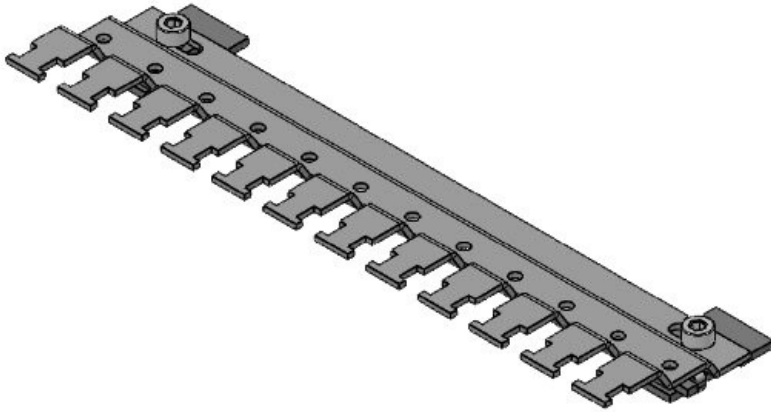
Part No.	38040.100	Height	12,5 mm
EAN	4251269319	Mounting height	12,5 mm
	945		
Package quantity	1		
For no. of shield clamps	10		
For max. no. of cables	10		
Length	150,4 mm		
Width	44,4 mm		

SC|RLFZ (x11)



Part No.	38045.100	Height	12,5 mm
EAN	4251269319	Mounting height	12,5 mm
	952		
Package quantity	1		
For no. of shield clamps	11		
For max. no. of cables	11		
Length	166 mm		
Width	44,4 mm		

SC|RLFZ (x12)



Part No.	38050.100	Height	12,5 mm
EAN	4251269319	Mounting height	12,5 mm
Package quantity	1		
For no. of shield clamps	12		
For max. no. of cables	12		
Length	181,6 mm		
Width	44,4 mm		

icotek[®]
smart cable management